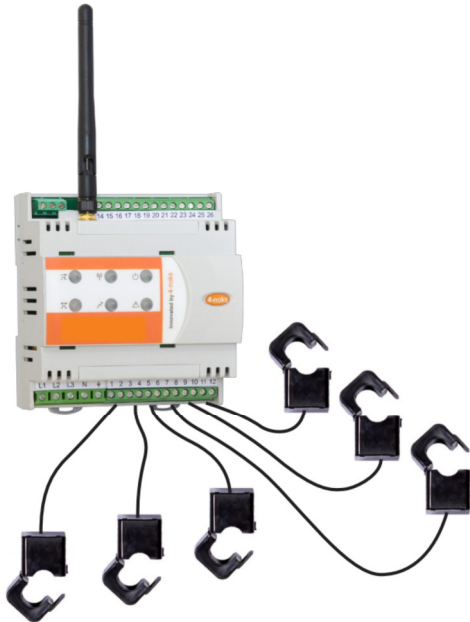


ZR-HMETER-3P

Three phase energy meter with ZigBee module



KEY FEATURES

- Real Time three phase Electricity Active Power or six single phase Electricity Active Power
- Measurement up to 200A by phase with external CT included
- CT included with core split
- Electricity Energy Counter
- Digital output to drive external high power relay
- Din Rail Mounted
- ModBus profile on ZigBee platform
- Router function
- No changes to your wiring needed

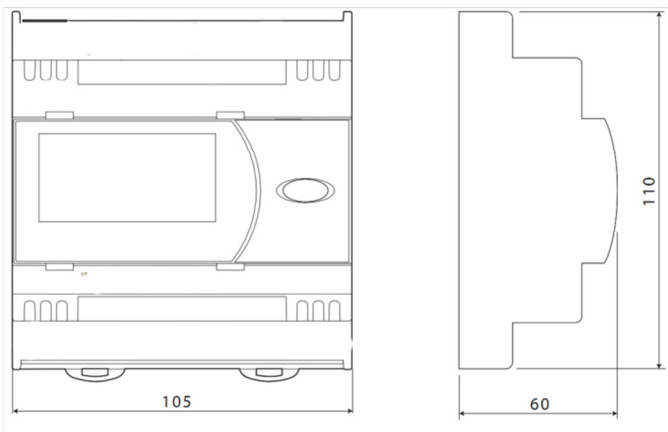
The ZR-HMETER3P-EM electricity meter is part of the ZB-Connection family. It includes three external current transformer to measure real time power up to 100kW and has an energy counter. Moreover it has a digital output to drive high power relay and two external digital inputs. The device is continuously powered by 230 Vac; therefore it can also act as a repeater or a parent device for battery powered sensors.

Main features	Measured calculated parameters
<ul style="list-style-type: none"> • Active and reactive power measurement • Measure up to 200 A with included external clamp CT • DIN rail guide mounting • ZigBee radio communication with ModBus profile • 230Vac Power supply • External antenna • Diagnostic LED • Push button for radio association 	<ul style="list-style-type: none"> True phase voltage (Vrms) (max 400 V) Phase true current (Irms) (max 200A) Phase active power (max 35kW) Total active power (max 100kW) Phase reactive power Total reactive power Phase apparent power Total apparent power Power factor ≥ 0.65 Phase active/reactive energy Total active/reactive energy
<p>Accuracy</p> <ul style="list-style-type: none"> • Rms current 1.5% • Rms voltage 1.5% • Active energy counting: Class 1 EN62053-21 $\pm 1\%$ • Reactive energy counting: Class 3 EN62053-23 $\pm 3\%$ 	

Technical data ZR-HMETER3P

Measurement	Single or double three-phase electric power systems or Six single-phase electric power systems Max 200A per phase
General characteristics	Chip Ember EM357 IEEE 802.15.4 Compatible Stack EmberZnet 4.7.x (ZigBee PRO) Modbus/RTU Device address settable radio commands DIN rail mounting
RF characteristics	Frequency: 2405 MHz ÷ 2480 MHz Modulation: DSSS Nominal transmission power: 10mW (10dBm) Reception sensitivity : -97dBm External antenna gain: 5,5dB Coverage outdoor/indoor: 200m/50m
Dimensions	Available in 6 DIN module format 105x115x60 mm
Assembly	DIN rail
Antenna	External antenna
Environment parameters	Operating temperature : 0 °C – 50 °C; <80% U.R. not condensing Storage temperature : -20 °C – +70 °C; < 80% U.R. not condensing Degree of protection IP30
Compliant with 2006/95/CE, 89/336/CE, 99/5/CE directives Reference Norms:	ETSI EN 300 328: Radio compatibility for digital wide band transmissions ETSI EN 301 489: Radio compatibility EN 61010-1:2011 EN 61326-1:2007

Mechanical Drawing



Product code	Description
ZR-HMETER-3P1-50-EM	1 three-phase line monitoring up to 50kW
ZR-HMETER-3P2-50-EM	2 three-phase line monitoring up to 50kW
ZR-HMETER-3P1-100-EM	1 three-phase line monitoring up to 100kW
ZR-HMETER-3P2-100-EM	2 three-phase line monitoring up to 100kW
ZR-HPMETER-1P6-EM	6 single-pPhase line monitoring